

## Forged Globe Valves

### Design

- Forged body and bonnet
- Bolted bonnet or Pressure Seal
- Rising stem (RS), outside screw and yoke (OS&Y)
- Seat rings are integral or welded

### Applications

- Power plant, Chemical, Petrochemical, Refining

### Media

- Depending on the valve materials: water, steam, gas, oil and oil derivatives and other non aggressive media

### Advantages

- Long service life
- Respect to emission standards
- Easy handling and maintenance
- Stem packing replacement in working conditions

### Materials

- Carbon, heat resistant alloy and stainless steels

### Pressure and temperature

- Class 150 ÷ Class 2500
- Temperature up to 600

### Options

- Electric, hydraulic or pneumatic actuator
- Position indicator
- Extended body
- Locking device
- Y-type
- End Connection can be screwed/socket weld, buttweld or flanged

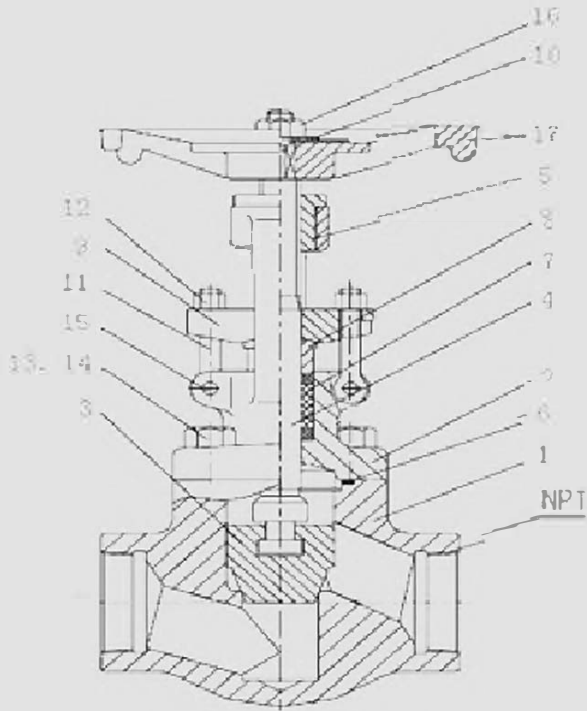
### Testing

- Every produced valve was tested according to API598

Gate valve according to API 600	Class 150 ÷ Class 1500
Face-to-face (FTF) and End-to-end (ETE) dimensions acc. to	ASME B16.10
Flanged ends according to	ASME B16.5
Welding ends according to	ASME B16.25
Screw ends according to	ASME B1.20.1



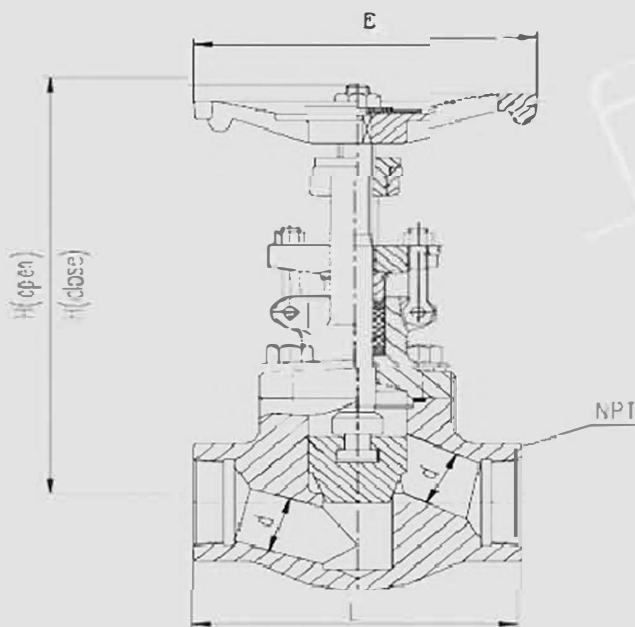
# Forged Globe Valves



Tech

No.	Parts	Materials	
		ASTM	
1	Body	A105 ①	F316 ①
2	Bonnet	A105	F316
3	Disc	A182 F6a ①	F316
4	Stem	A182 F6a	F316
5	Stem Nut	A439 D2 / Bronze	SS410
6	Gasket	304 + Flexible Graphite	304 + Flexible Graphite
7	Packing	Flexible Graphite	Flexible Graphite
8	Gland	A276 420	F316
9	Gland Flange	CS	F304
10	Washer	CS	SS
11	Eyebolt	A193 B7	A182 F304
12	Nut	A194 2H	8
13	Bolt	A193 B7	B8
14	Nut	A194 2H	8
15	Pin	CS	SS
16	Handwheel Nut	CS	SS
17	Handwheel	Cast Iron	Cast Iron

## Dimensions and Weights



	NPS(in)	Dimensions(mm)			H	E	Weights(kg)	
		d	L					
600	1/4	64	76	Open	146	135	80	2
	3/8	64	76	146	135	80	2	
	1/2	95	76	146	135	80	2	
	3/4	127	86	154	142	80	2.5	
	1	17.5	102	195	183	110	3.5	
	1 1/4	23.8	140	195	183	150	8	
	1 1/2	28.6	140	231	214	150	8	
1500	2	36.5	170	277	254	150	11.5	
	1/4	6.4	76	211	195	100	4	
	3/8	6.4	76	211	195	100	4	
	1/2	9.5	76	211	195	100	4	
	3/4	12.7	86	218	200	100	4.5	
	1	17.5	102	277	254	150	6.5	
	1 1/4	22.2	152	277	248	160	9	
3000	1 1/2	27	152	290	255	160	12	
	2	34.9	171	316	275	180	18.5	
	1/2	6.4	76	211	195	100	4	
	3/4	12.7	155	242	218	130	7	
	1	17.5	170	277	254	150	9	
6000	1 1/2	27	235	434	392	225	37	
	2	34.9	235	434	392	225	37	



# SERTİFİKALAR

## CERTIFICATES





The image features a complex industrial background with various pipes, valves, and machinery. In the foreground, several Venturi valves are displayed, some with blue liquid splashing through them. A technical diagram of a valve is overlaid in the center, with a dimension line labeled 'E'. The logo consists of a blue stylized 'V' shape followed by the text 'VENTURI VALVES' in a bold, blue, sans-serif font.

# VENTURI VALVES

