

DÖVME VANALAR

FORGED VALVES

 **VENTURI**
VALVES



Forged Ball Valves

Design

- Forged body and bonnet
- 3-piece bolted body, Full bore
- Blowout-proof stem
- Non-removable antistatic devices
- Cavity relief balancing hole
- Fire safe according to API 607

Applications

- Power plant, Chemical, Petrochemical, Refining

Media

- Depending on the valve materials: water, steam, gas, oil and oil derivatives and other non aggressive media

Advantages

- Long service life
- Respect to emission standards
- Easy handling and maintenance
- Stem packing replacement in working conditions

Materials

- Carbon, heat resistant alloy and stainless steels

Pressure and temperature

- Class 150 ÷ Class 1500
- Temperature up to 200

Options

- Electric, hydraulic or pneumatic actuator
- Position indicator
- Extended stem
- Locking device
- End Connection can be screwed/socket weld, buttweld or flanged

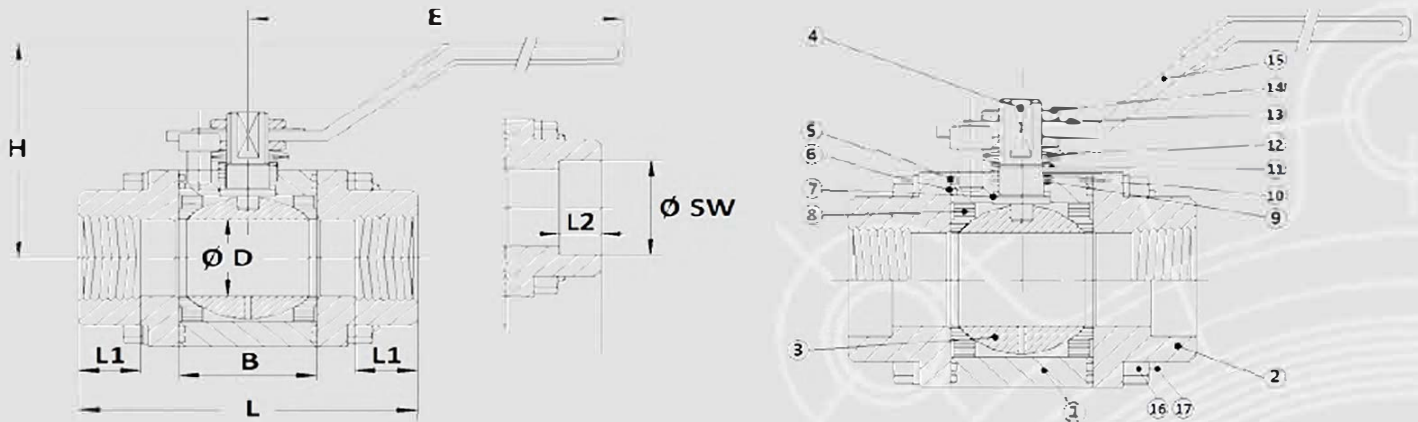
Testing

- Every produced valve was tested according to API598

Gate valve according to API 600	Class 150 ÷ Class 1500
Face-to-face (FTF) and End-to-end (ETE) dimensions acc. to	ASME B16.10
Flanged ends according to	ASME B16.5
Welding ends according to	ASME B16.25
Screw ends according to	ASME B1.20.1



Forged Ball Valves



Parts	Materials		
1	Body	ASTM A105N	ASTM A479 316/316L
2	Ends	ASTM A105N	ASTM A479 316/316L
3	Ball	ASTM A479 316/316L	ASTM A479 316/316L
4	Stem	ASTM A479 316/316L	ASTM A479 316/316L
5	Body gasket (firesafe)	Graphite	Graphite
6	Body gasket	PTFE	PTFE
7	Thrust washer	PTFE filled with 25% glass fiber	PTFE filled with 25% glass fiber
8	Seat	PTFE filled with 15% glass fiber	PTFE filled with 15% glass fiber
9	Gasket	PTFE filled with 25% glass fiber	PTFE filled with 25% glass fiber
10	Packing	Graphite	Graphite
11	Packing gland	UNS31600/S31603	UNS31600/S31603
12	Elastic ring	AISI 301	AISI 301
13	ID plate	Aluminium	Aluminium
14	Nut	ASTM A582 AISI 303	ASTM A582 AISI 303
15	Handle	Zinc carbon steel	Zinc carbon steel
16	Nut	ASTM A194 GR.2H	ASTM A193 GR. B8
17	Screw	ASTM A193 B7	ASTM A194 Gr. 8

CL800-1500						
DN (mm)	15	20	25	32	40	50
NPS (")	1/2"	3/4"	1"	1 1/4"	1 1/2"	2"
Ø D	14.2	20.5	25.4	31.7	38	51
B	21	28	37	45	50	62
L	80	100	110	120	140	160
L1	14	14	17.5	18	19	23
L2	12.7	14.5	16	17.5	19	22
E	160	170	170	226	230	310
H	78	100	100	123	128	155
Weight (in Kg)	1.25	2.4	3.11	4.5	6.2	10.2